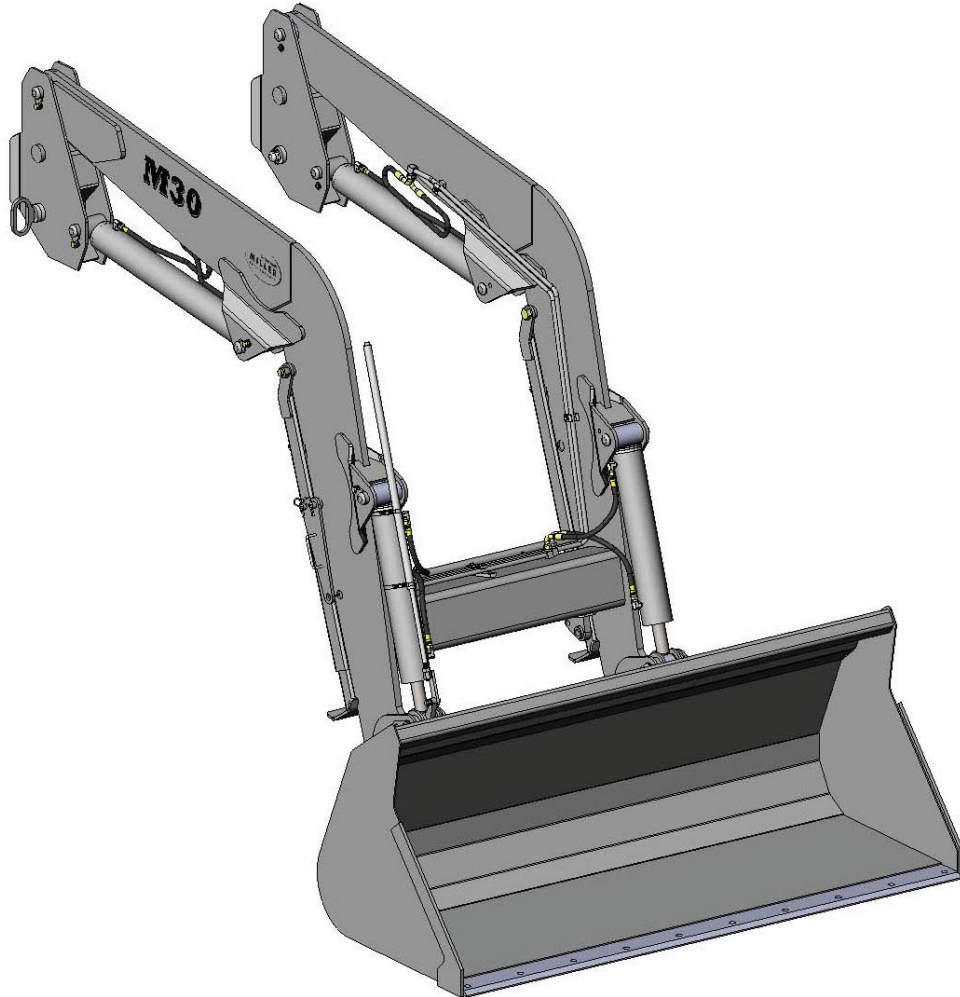




M30 Farm Loader



OWNER'S MANUAL

© Miller Loaders
www.millerloader.com
email: sales@millerloader.com

Jan 2011

Install Center/Shipping/Receiving:
1242 Arizona Ave
Larchwood, IA 51241
(800) 570-8205
(712) 477-2795
FAX (712) 477-2500

PREFACE

This manual describes the installation, operation and maintenance of the Miller M30 farm loader. Please read and understand this manual in its entirety before performing installation, operation, or maintenance procedures to ensure the satisfactory performance and durability of the loader. Read and follow all safety and precautionary notes included in this text. Any questions related to this product should be directed to Miller Loader Customer Service at 1-800-570-8205 (712- 477-2795).

CONTENTS

Safety Statements	2
General Precautions	2
Installing Mount Kit onto the tractor	3
Mounting the Loader onto the tractor	4-5
Dismounting the Loader from the tractor	6-7
Parts Listing	8-16
Maintenance	17
Specifications	18
Warranty	19
Return Policy	20

SAFETY STATEMENTS



This statement is used where serious injury or death will result if the instructions are not followed properly.



This statement is used where serious injury or death could result if the instructions are not followed properly.



This statement is used where minor injury could result if the instructions are not followed properly.



This statement is used where equipment or property damage could result if the instructions are not followed properly.

GENERAL PRECAUTIONS

◇ READ MANUAL PRIOR TO INSTALL or OPERATION

Improper installation, operation, or maintenance of this equipment could result in serious injury or death. Operators and maintenance personnel should read all manuals related to this equipment thoroughly before beginning installation, operation, or maintenance.

◇ AVOID ESCAPING FLUID that is under PRESSURE

Escaping fluid under pressure can penetrate the skin causing serious injury. Relieve pressure before disconnecting hydraulic or other lines. Tighten all connections before applying pressure. Keep hands and body away from pinholes which eject fluids under high pressure.

◇ PROTECT AGAINST FLYING DEBRIS

When driving connection pins, always guard against injury from flying pieces of metal or debris. WEAR GOGGLES OR SAFETY GLASSES.

◇ SUPPORT RAISED EQUIPMENT

Do not work under raised loader booms, buckets or grapples without supporting them. Lower booms, buckets and grapples onto blocks. When mounting and dismounting the loader, do not move the stand legs from their store position to park position (or vice versa) without the bucket resting on the ground.

◇ DO NOT MODIFY LOADER

Do not modify the loader in any way without written authorization and instructions from Miller Loader Customer Service at 1-800-570-8205 (712- 477-2795). Modifications may weaken the integrity of the loader and may impair the function, safety, usable life, and performance of the loader.

INSTALLING MOUNT KIT ONTO THE TRACTOR



THE LOADER MOUNTS ARE APPROXIMATELY 500 POUNDS EACH. INSTALLATION SHOULD BE DONE WITH A OVERHEAD CRANE OR HOIST THAT IS RATED TO HANDLE THIS MUCH WEIGHT.

A mounting kit includes a right side mount and a left side mount. Other items (depending on the tractor model) such as a grill guard and step relocation brackets may also be included. The image below shows a typical M30 loader mount kit. The most important aspect of attaching the mounts is proper tightening of the mount bolts. Nearly all large tractor mounts utilize 20mm metric bolts, grade 10.9. With dry threads, this bolt size should be torqued to 390 ft-lbs. Any mating surface between the mounts and the tractor should have the paint removed also.

METRIC BOLT SIZE GRADE 10.9	DRY TORQUE (FT-LBS)		ITEM NO.	PART NUMBER	DESCRIPTION	QTY.
20MM	390		1	35KR01	MOUNT, MAGNUM, RH	1
			2	HW-LN-20	NORD-LOCK 2-PC, 20 MM	14
			3	35KL01	MOUNT, MAGNUM, LH	1
			4	HW-BM-20-060-B	BOLT, 20 X 60 MM, 10.9	14
			5	HW-BM-20-050-B	BOLT, 20 X 50 MM, 10.9	10
			6	35CG01A	GRILL GUARD BASE, MAGNUM	1
			7	35CG01C	PIVOTING ASSEMBLY, MAGNUM GRILL GUARD	1
			8	HW-LM-20-B	LOCKWASHER, 20MM, 10.9	10
			9	HW-LS-08-A	LOCKWASHER, 1/2, MED ZN	2
			10	HW-BS-12-0200-B	BOLT, 3/4-10 UNC, GR8 ZN, 2" LONG	2
			11	HW-BS-08-0150-A	BOLT, 1/2-13 UNC, GR5 ZN, 1-1/2" LONG	2
			12	98015	NUT, 3/4-10 UNC TOP LOCK, PLATED	2
			13	98131	HARDENED WASHER, ZP, 3/4	2
			14	98431	HAIRPIN COTTER, ZINC, 2-11/16 OAL	2
			15	35SB01	STEP BACKET ASS'Y, MAGNUM	1
			16	35121	GRILL GUARD PIN, CASE MAGNUM	2

Typical M30 loader mount kit

MOUNTING THE LOADER ONTO THE TRACTOR

STEP 1 (See Figure 1)

Slowly drive into the parked loader.

STEP 2 (See Figure 2)

Connect the loader hydraulics.

STEP 3 (See Figures 3a, 3b)

Using the bucket tilt cylinders, slowly roll the bucket forward to lower the shafts towards and into the saddles on the mounts. You may also need to move the tractor slightly to help line things up.



Fig. 1

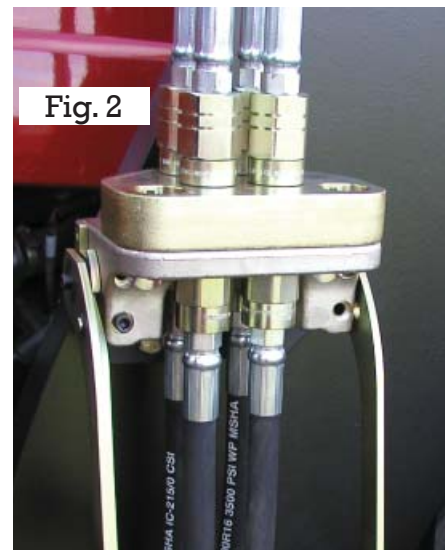


Fig. 2

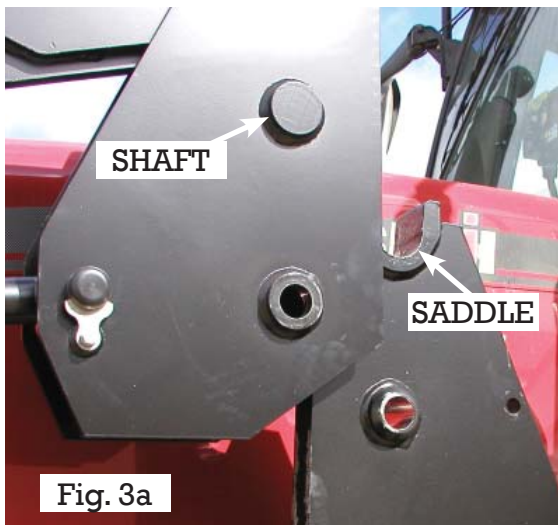


Fig. 3a

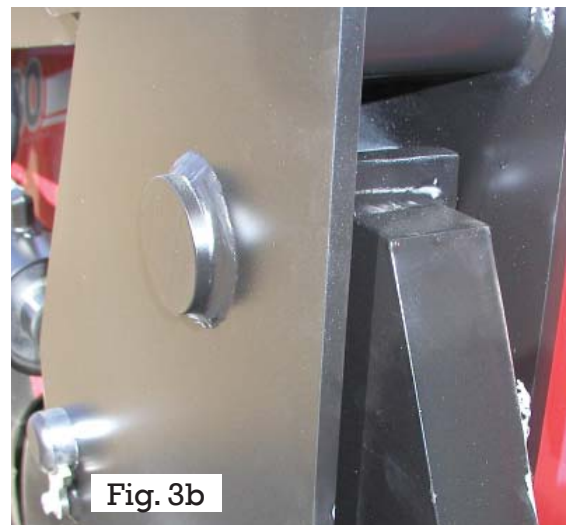


Fig. 3b

MOUNTING THE LOADER ONTO THE TRACTOR

STEP 4 (See Figure 4)

Once the large shafts are seated in the mount saddles, use the loader lift cylinders to rotate the legs of the loader so that the holes line up as shown.

STEP 5 (See Figure 5)

Install the lock pins - one in each mount. Secure the lock pins with a lynch pin on the back side of the the mount.

STEP 6 (See Figure 6)

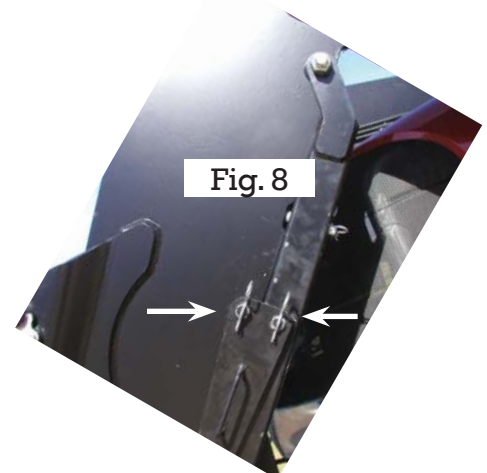
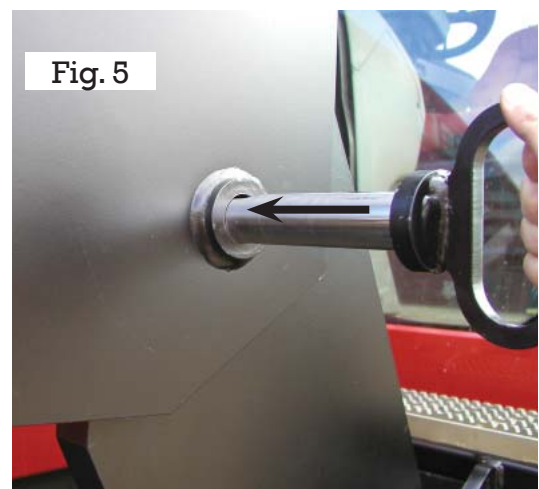
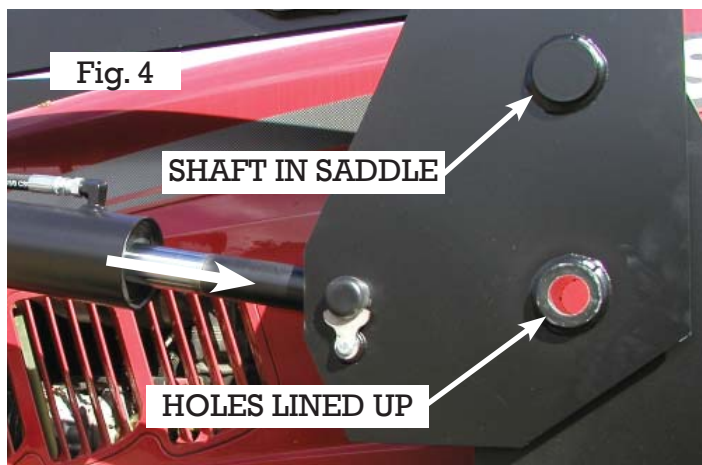
Roll the bucket onto its edge as shown. Shorten the stand legs to their shorter length and secure the lower sliding legs by placing the silver pin in the upper hole.

STEP 7 (See Figure 7)

Un-pin the stand legs from the brackets on the bottom side of the cross tube and remove them from the brackets. Lower the bucket to the ground in a flat position.

STEP 8 (See Figure 8)

Install the stand legs to their "carry" position and secure using the stand leg handle plate with it's two hairpin cotters as well as the 1" upper pin and it's cotter.



DISMOUNTING THE LOADER FROM THE TRACTOR

STEP 1 (See Figure 1)

Drive onto flat, solid ground. Lower the bucket to the ground and remove the stand legs from their store position.

STEP 2 (See Figure 2)

Position the bucket on its cutting edge as shown and pin the stand legs into their park position brackets on the bottom of the cross-tube (see inset photo).

STEP 3 (See Figure 3)

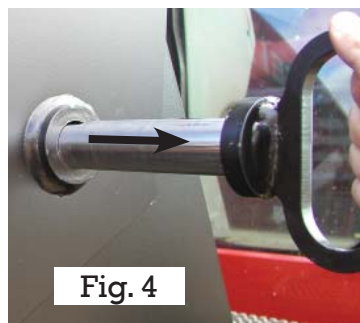
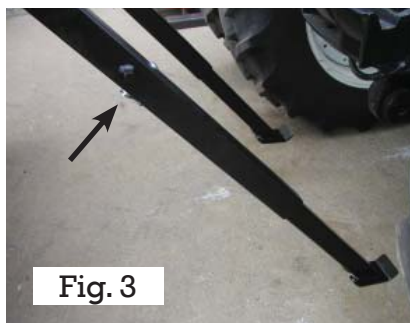
Extend the stand legs to their longer length and secure the lower sliding legs by placing the silver pin in the lower hole.

STEP 4 (See Figure 4)

Remove the lock pins.

STEP 5 (See Figure 5)

Flatten the bucket and slowly lower the loader until the parking stands rest on the ground. Please note that the stands are designed to support the weight of the loader only- they are not designed to handle the full downward force that the loader can generate (which is several tons).



DISMOUNTING THE LOADER FROM THE TRACTOR

STEP 6 (See Figure 6)

Tilt the bucket downward until the bucket cutting edge is resting on the ground along with the stand legs.

STEP 7 (See Figure 7)

Retract the lift cylinders to rotate the lower part of the upright legs forward.

STEP 8 (See Figures 8a, 8b)

Using the bucket tilt cylinders, slowly flatten the bucket until the upright legs lift up and out of the mounts. It may be necessary to wiggle the bucket up/down with the tilt cylinders to release the legs from the mounts. Do not have the tractor transmission in Park during this step as in may be helpful to creep forward slightly as the loaders legs are lifting out of the mounts.

STEP 9 (See Figure 9)

Disconnect the hydraulics.

STEP 10 (See Figure 10)

Slowly back away from the parked loader.



Fig. 6

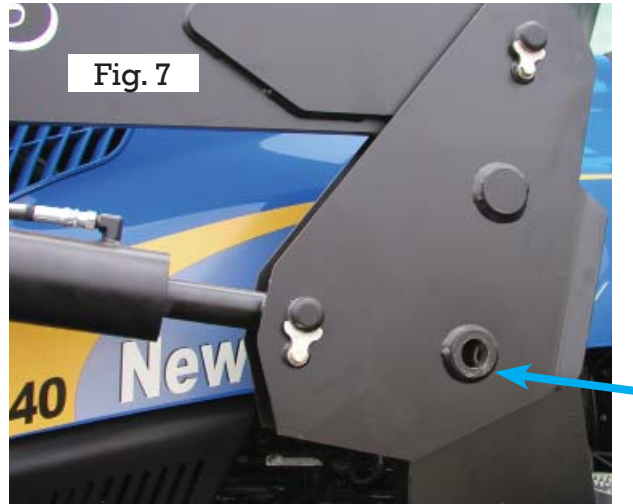


Fig. 7



Fig. 8a



Fig. 8b

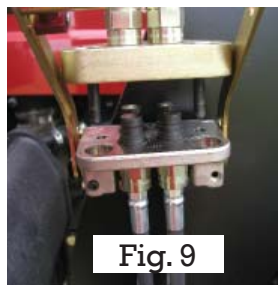
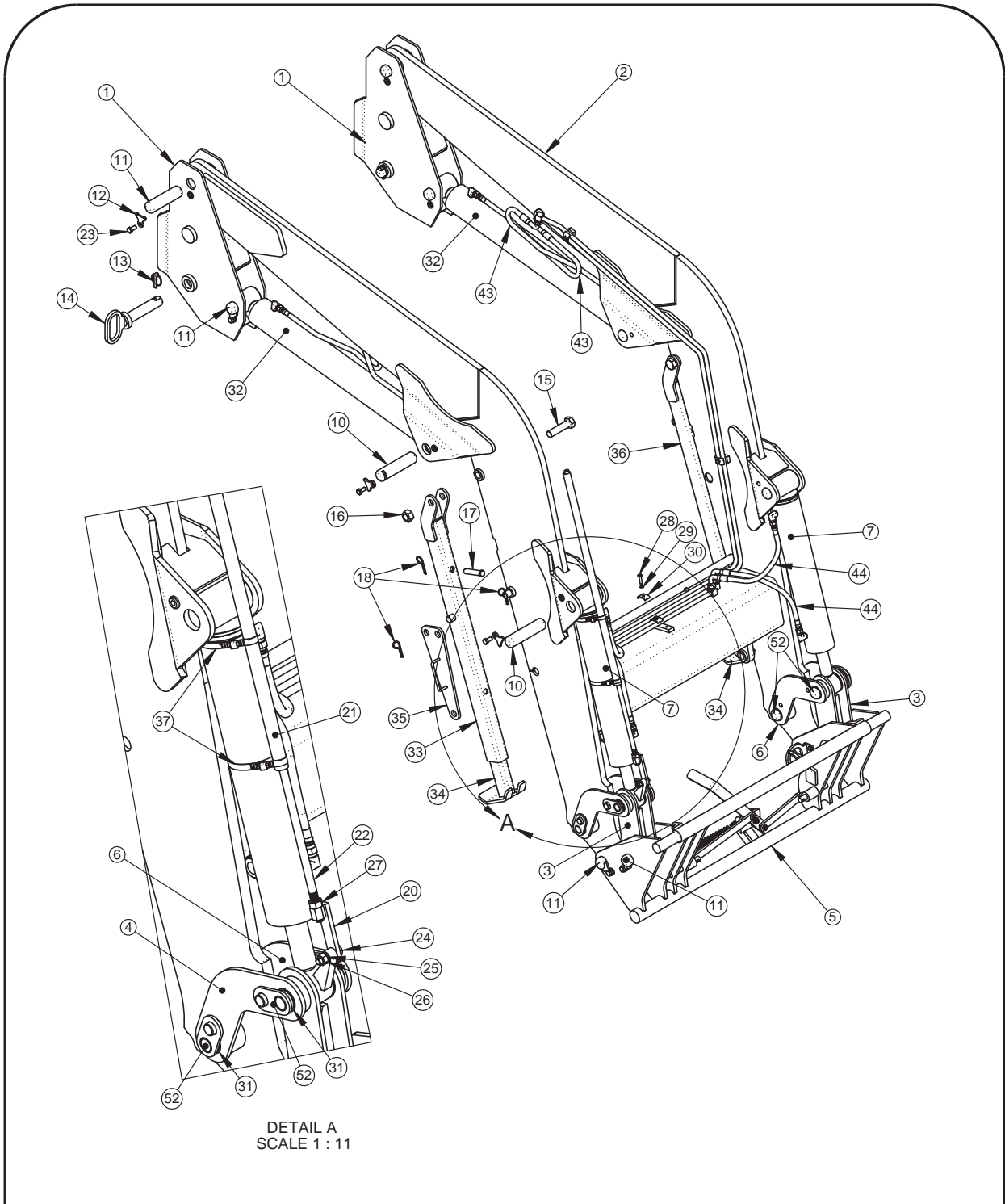


Fig. 9



Fig. 10

PART LISTING



M30 LOADER - GENERAL PARTS LIST

PRODUCT MODEL:

DRAWING ID#: 30FA01

DRAWING REVISION: -

DRAWING DATE: 11/3/2010

PART LISTING

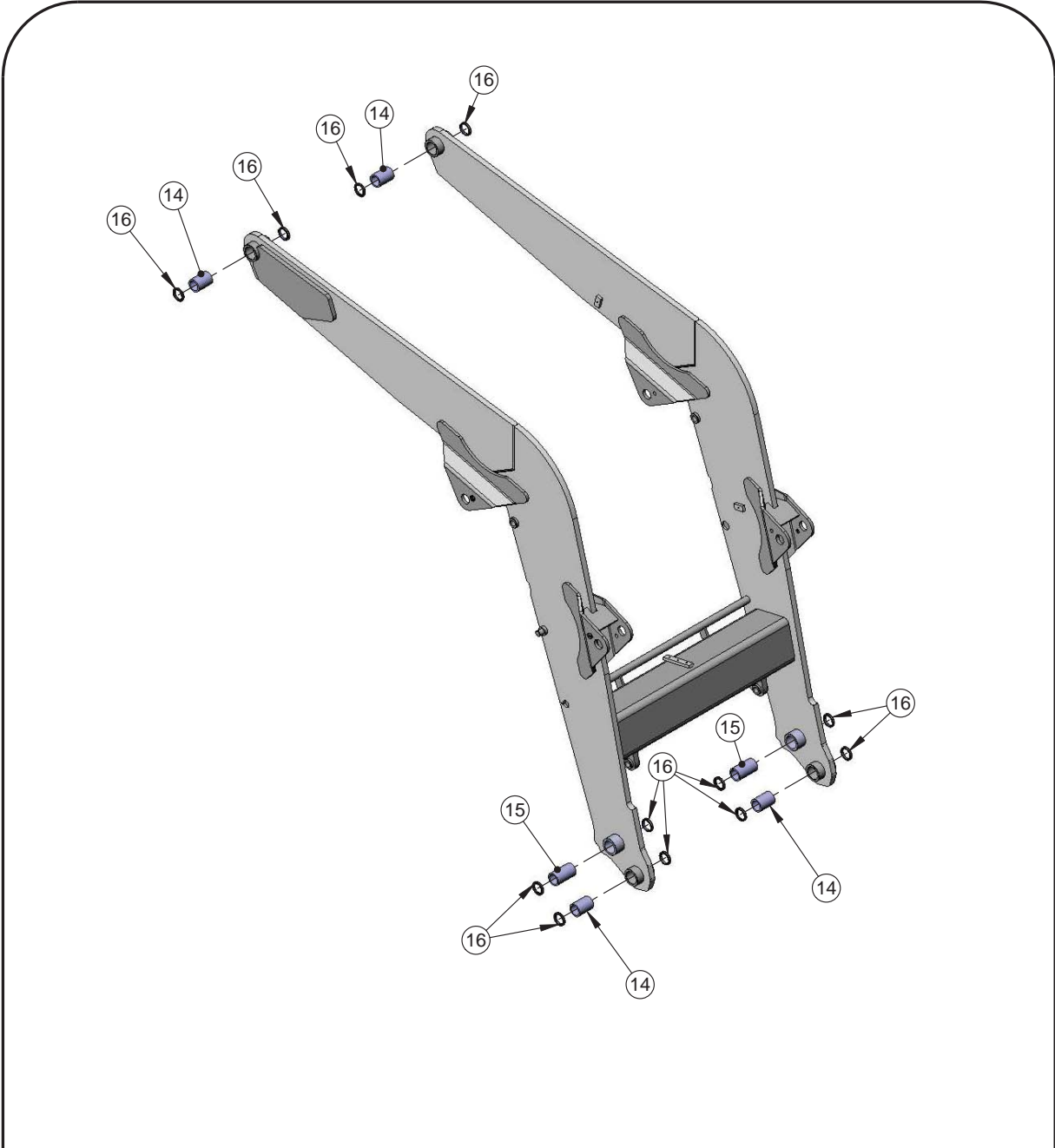
ITEM NO.	PART NUMBER	DESCRIPTION	Default/QTY.
1	35LR01	LEG	2
2	30MF02	MAINFRAME	1
3	35AL03	LINKAGE, QT	2
4	35DL01	DOG LINK WITH PEGS	2
5	35QT02	QT, COMPLETE ASSEMBLY	1
6	3504	DOGLINK, NO BUTTONS	2
7	35CB03	BUCKET CYLINDER	2
10	3527B	PIN, 1-3/4 X 7-1/4	4
11	3527A	PIN, 1-3/4 X 6-1/2	8
12	3529	RETAINER	12
13	98441	LYNCH PIN, 7/16 X 1-3/4	2
14	35RP01	RETAINING PIN	2
15	98216	BOLT, 1-14 UNF, Gr8 ZN, 4" LONG	2
16	HW-NS-16-E	NUT, 1-14 UNF GR8 TL, ZN	2
17	PIN1-006	CLEVIS PIN, 3/4 X 3 1/2 ZNC	2
18	PIN1-017	HAIRPIN COTTER, 2-11/16 LONG	6
20	35VL01	ADJUSTMENT TAB ASSY	1
21	35VL02	SLIDE TUBE ASSY	1
22	LV01-03	LEVEL INDICATOR ROD, 5/8 x 48	1
23	98217	BOLT, 1/2-13 UNC, Gr8 ZN, 1" LONG	12
24	HW-BS-08-0200-A	BOLT, 1/2-13 UNC, GR5 ZN, 2" LONG	1
25	HW-LS-08-A	LOCKWASHER, 1/2, MED ZN	1
26	HW-NS-08-A	NUT, 1/2-13 UNC, ZN	1
27	HW-NS-10-A	NUT, 5/8-11 UNC GR8, ZN	1
28	HW-BS-05-0125-A	BOLT, 5/16-18 UNC, GR5 ZN, 1-1/4" LONG	10
29	HW-LS-05-A	LOCKWASHER, 5/16, ZN	10
30	PC06X2	PIPE CLAMP	10
31	98450	EXTERNAL SNAP RING, FSE-0175	8
32	35CL03	LIFT CYLINDER	2
33	30SL01	STAND LEG TOP, RH	1
34	30SL02	BOTTOM TUBE ASSEMBLY	2
35	30SL03	HANDLE ASSEMBLY	2
36	30SL04	STAND LEG TOP, LH	1
37	90703	HOSE CLAMP, WORM GEAR	2
43	3598	HOSE, LIFT CYLINDER	4
44	3599	HOSE, TILT CYLINDER	4
52	35NA01	PIN ASSEMBLY	4

PARTS INDEX

PRODUCT MODEL:

DRAWING ID#: 30FA01
 DRAWING REVISION: -
 DRAWING DATE: 11/3/2010

PARTS LISTING



ITEM NO.	PART NUMBER	DESCRIPTION	QTY
14	98950	COMPOSITE BEARING, 1.75 BORE, 3.125 LONG	4
15	98964	COMPOSITE BEARING, 1.75 BORE, 4.00 LONG	2
16	94224	PIN SEAL, 1.75 ID x 2.25 OD x 5/16 Thick	12

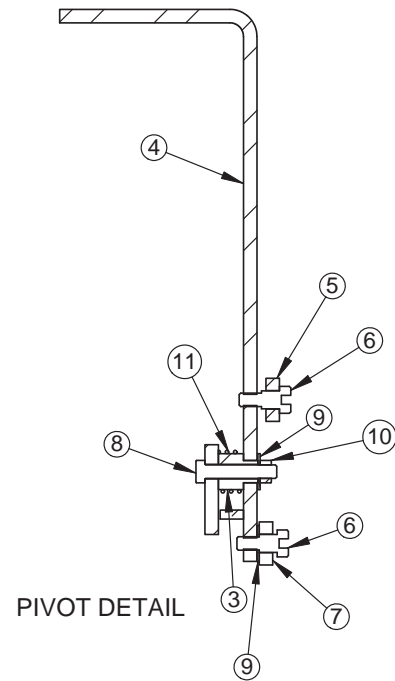
MAINFRAME BEARINGS - SEALS

PRODUCT MODEL:

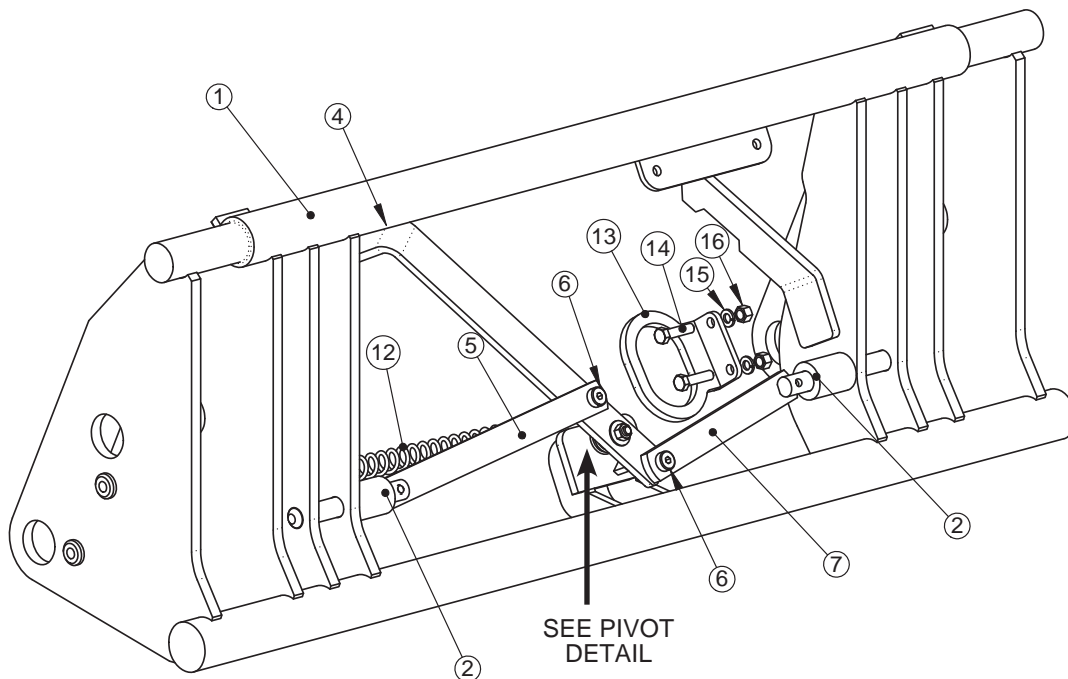
DRAWING ID#: 30MFS2
 DRAWING REVISION: -
 DRAWING DATE: 11/3/2010

PARTS LISTING

ITEM NO.	PART NUMBER	DESCRIPTION	Approx. Weight (LBS)	QTY. SHOWN
1	35QT01	QT, WELDED ASSEMBLY	181.17	1
2	3564	ENGAGE PIN	0.82	2
3	3570	PIVOT SPACER	0.15	1
4	35QT03	HANDLE ASSY	3.24	1
5	35QT04	LONG LINK ASSY	1.69	1
6	98280	SHOULDER BOLT, 1/2X1/2, 3/8NC	0.08	4
7	3569	LINK, SHORT	1.07	1
8	HW-BS-06-0200-A	BOLT, 3/8-16 UNC, GR5 ZN, 2" LONG	0.067	1
9	HW-WS-06-A	WASHER, 3/8 FLAT, ZN	0.042	2
10	98006	NUT, 3/8-16 NYLOCK, ZP	0.1	1
11	3583	PIVOT SPRING	0.02	1
12	3582	SPRING, ENGAGE	0.27	1
13	35BK01	LOOM BRACKET	1.14	1
14	HW-BS-06-0150-A	BOLT, 3/8-16 UNC, GR5 ZN, 1-1/2" LONG	0.067	2
15	HW-LS-06-A	LOCKWASHER, 3/8, ZN		2
16	HW-NS-06-A	NUT, 3/8-16 UNC TL, ZN	0.037	2



Complete QT - part : 35QT02



EURO (ISO) QUICK-ATTACH - "M" SERIES (UP TO M30)

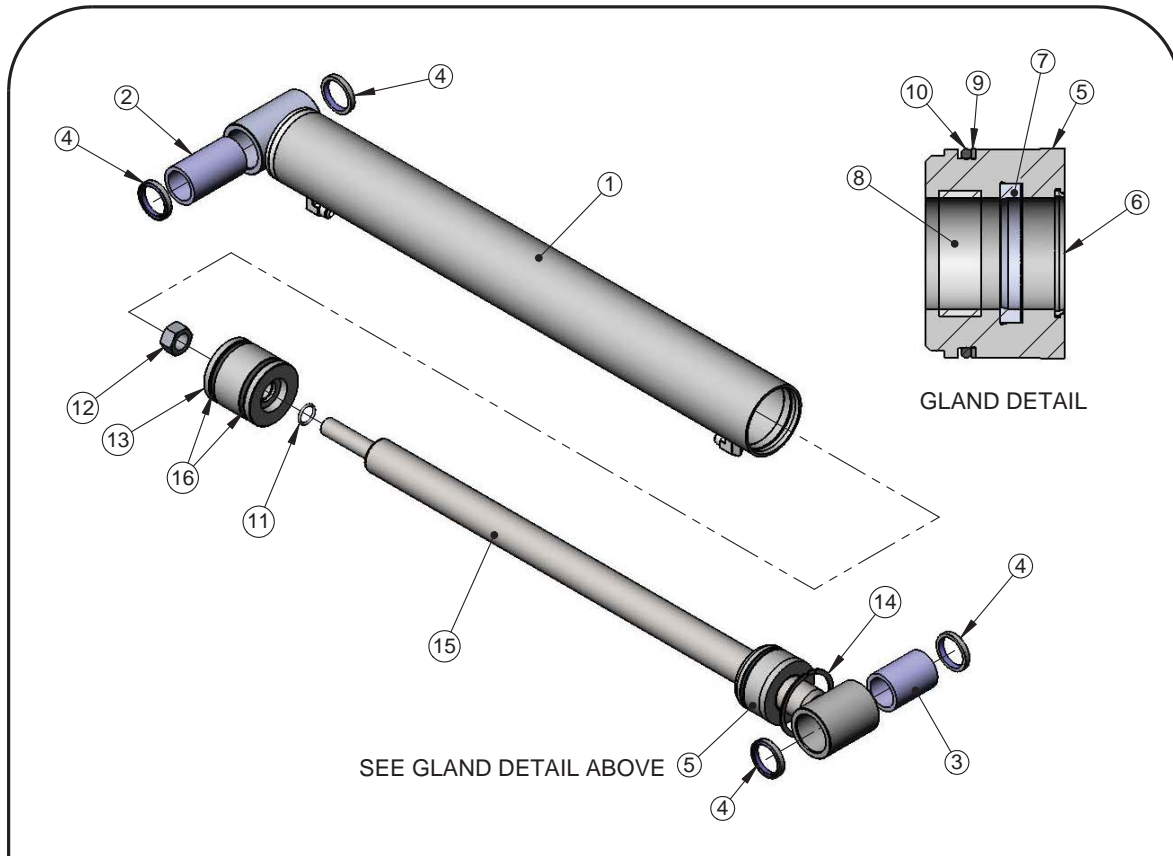
PRODUCT MODEL:

DRAWING ID#: 35QT02

DRAWING REVISION: -

DRAWING DATE: 11/9/2010

PARTS LISTING



SEE GLAND DETAIL ABOVE

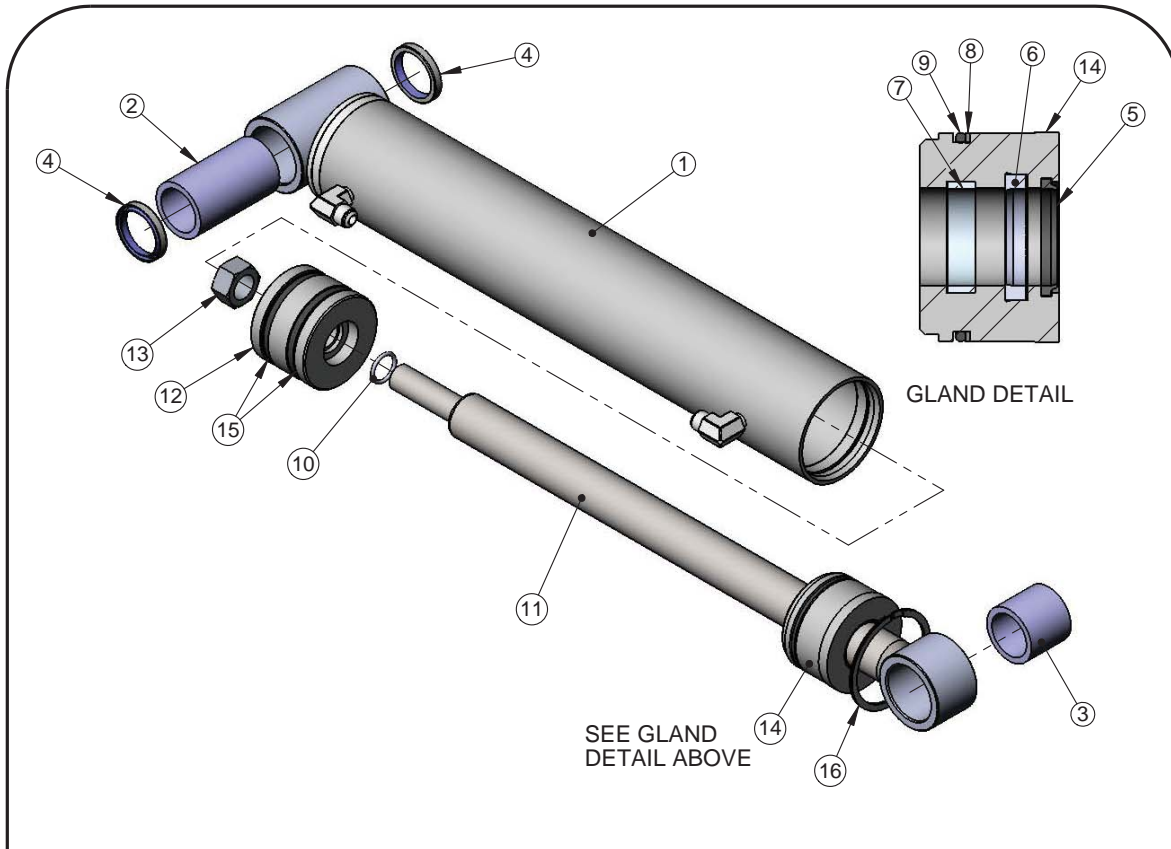
ITEM NO.	PART NUMBER	DESCRIPTION	Approx. Weight (LBS)	QTY. SHOWN	INCLUDED IN SEAL KIT?
1	30CL02	TUBE ASSEMBLY, LIFT	39.46	1	N
2	98964	COMPOSITE BEARING, 1.75 BORE, 4.00 LONG	0.2	1	N
3	98950	COMPOSITE BEARING, 1.75 BORE, 3.125 LONG	0.2	1	N
4	94224	PIN SEAL, 1.75 ID x 2.25 OD x 5/16 Thick	0.0	4	N
5	3022	GLAND, LIFT	4.36	1	N
6	CP-WP-2000AN	WIPER, 2.000 ROD, TYPE "AN"	0.025	1	Y
7	CP-UC-2000-4	SEAL, U-CUP, 2.000 ID x .250 x .375	0.03	1	Y
8	94186	WEAR RING, ROD, 2 ID X 3/4 WIDE	0.01	1	Y
9	94109	BACK-UP RING, -340, 3-3/4 OD	0.00	1	Y
10	94125	O-RING, -340, 3-3/8 ID X 3-3/4 OD, BUNA-N	0.00	1	Y
11	94111	O-RING, -214, 1 ID X 1-1/4 OD, BUNA-N	0.00	1	Y
12	HW-NS-16-A	NUT, 1-14 UNF, TOP LOCK, PLAIN	0.037	1	N
13	3023	PISTON, LIFT	8.24	1	N
14	CP-SR-3750	SNAP-RING, 3.75 BORE	0.086	1	N
15	30CL01	ROD ASSEMBLY, LIFT	33.9	1	N
16	94173	SEAL, U-CUP, 3.25 ID X .250 X .375 W	0.03	2	Y

SEAL KIT PART NUMBER: **30KT02**
 Complete Cylinder part number: **30CL03**

LIFT CYLINDER, M30 LOADER

PRODUCT MODEL:	DRAWING ID#: 30CL03
	DRAWING REVISION: -
	DRAWING DATE: 11/3/2010

PARTS LISTING

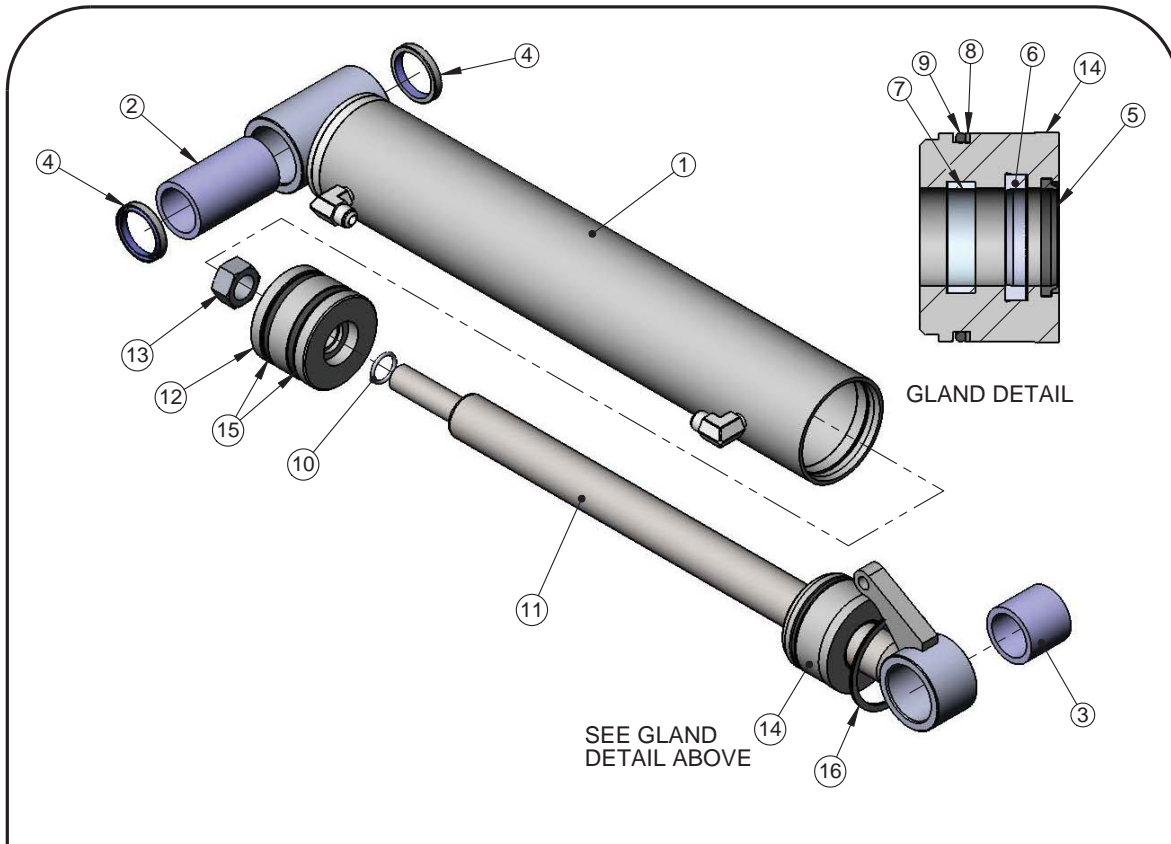


ITEM NO.	PART NUMBER	DESCRIPTION	Approx. Weight (LBS)	QTY. SHOWN	INCLUDED IN SEAL KIT?
1	30CB02	TUBE ASSEMBLY, BUCKET	29.11	1	N
2	98964	COMPOSITE BEARING, 1.75 BORE, 4.00 LONG	0.2	1	N
3	98932	COMPOSITE BEARING, 1.75 BORE, 2.00 LONG	0.2	1	N
4	94224	PIN SEAL, 1.75 ID x 2.25 OD x 5/16 Thick	0.0	2	N
5	94213	WIPER, 1.750 ROD, TYPE "DT"	0.01	1	Y
6	94167	SEAL, DEEP-Z, 2-1/4 X 1-3/4	0.02	1	Y
7	94183	WEAR RING, ROD, 2" OD X 1/2" WIDE	0.01	1	Y
8	94109	BACK-UP RING, -340, 3-3/4 OD	0.00	1	Y
9	94125	O-RING, -340, 3-3/8 ID X 3-3/4 OD, BUNA-N	0.00	1	Y
10	94111	O-RING, -214, 1 ID X 1-1/4 OD, BUNA-N	0.00	1	Y
11	35CB01	BUCKET ROD ASSY, NO LEVEL IND.	17.5	1	N
12	3018	PISTON, BUCKET	6.37	1	Y
13	HW-NS-16-A	NUT, 1-14 UNF, TOP LOCK, PLAIN	0.037	1	N
14	3016	GLAND, BUCKET	4.88	1	N
15	94173	SEAL, U-CUP, 3.25 ID X .250 X .375 W	0.03	2	Y
16	CP-SR-3750	SNAP-RING, 3.75 BORE	0.086	1	N

SEAL KIT PART NUMBER: **30KT01**
 Complete Cylinder part number: **30CB12**

BUCKET CYLINDER, M30 LOADER, NON-LEVEL INDICATOR SIDE	
PRODUCT MODEL:	DRAWING ID#: 30CB12 DRAWING REVISION: - DRAWING DATE: 11/3/2010

PARTS LISTING



ITEM NO.	PART NUMBER	DESCRIPTION	Approx. Weight (LBS)	QTY. SHOWN	INCLUDED IN SEAL KIT?
1	30CB02	TUBE ASSEMBLY, BUCKET	29.11	1	N
2	98964	COMPOSITE BEARING, 1.75 BORE, 4.00 LONG	0.2	1	N
3	98932	COMPOSITE BEARING, 1.75 BORE, 2.00 LONG	0.2	1	N
4	94224	PIN SEAL, 1.75 ID x 2.25 OD x 5/16 Thick	0.0	2	N
5	94213	WIPER, 1.750 ROD, TYPE "DT"	0.01	1	Y
6	94167	SEAL, DEEP-Z, 2-1/4 X 1-3/4	0.02	1	Y
7	94183	WEAR RING, ROD, 2" OD X 1/2" WIDE	0.01	1	Y
8	94109	BACK-UP RING, -340, 3-3/4 OD	0.00	1	Y
9	94125	O-RING, -340, 3-3/8 ID X 3-3/4 OD, BUNA-N	0.00	1	Y
10	94111	O-RING, -214, 1 ID X 1-1/4 OD, BUNA-N	0.00	1	Y
11	35CB03	BUCKET ROD ASSY, LEVEL IND. SIDE	18.2	1	N
12	3018	PISTON, BUCKET	6.37	1	N
13	HW-NS-16-A	NUT, 1-14 UNF, TOP LOCK, PLAIN	0.037	1	N
14	3016	GLAND, BUCKET	4.88	1	N
15	94173	SEAL, U-CUP, 3.25 ID X .250 X .375 W	0.03	2	Y
16	CP-SR-3750	SNAP-RING, 3.75 BORE	0.086	1	N

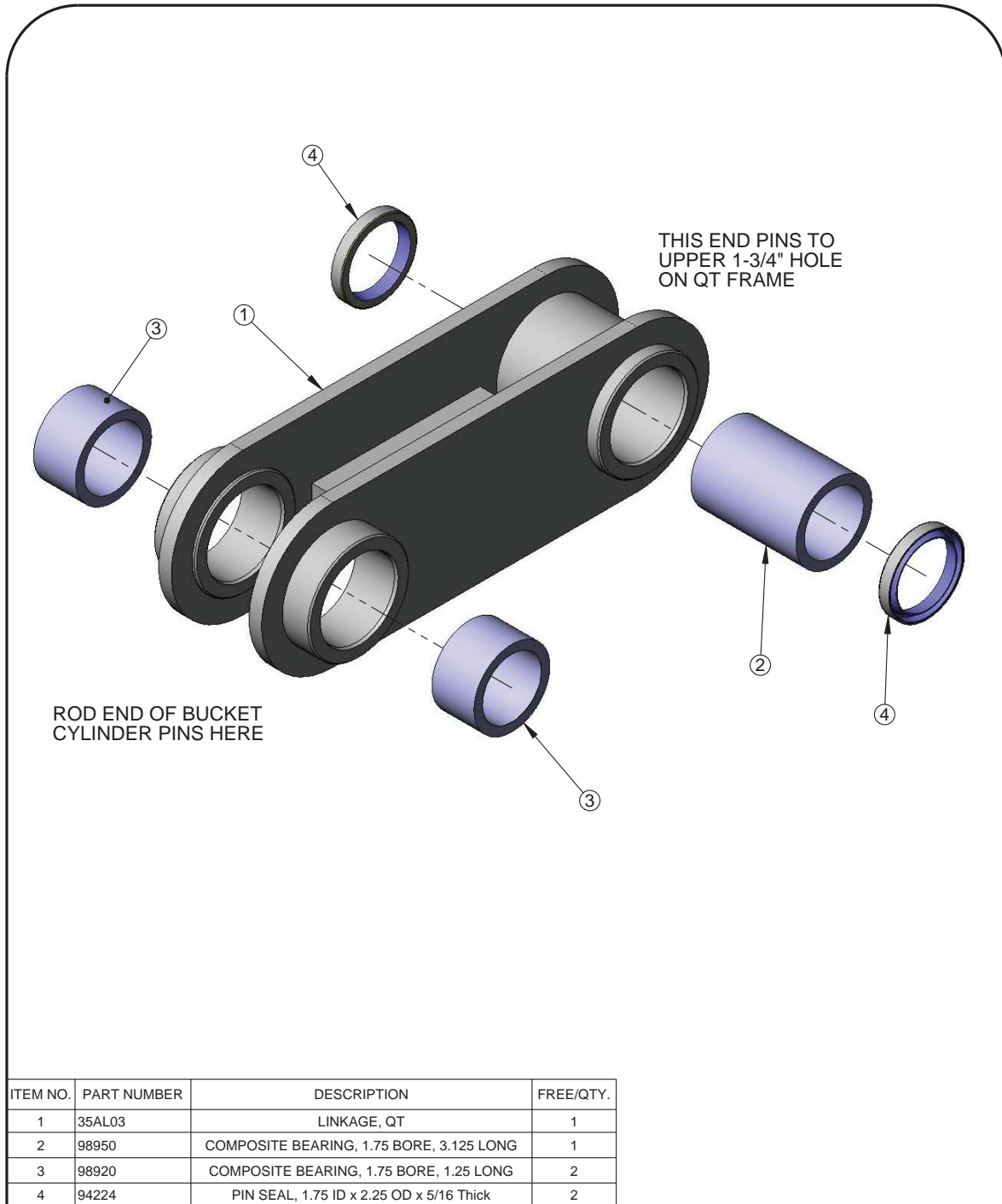
SEAL KIT PART NUMBER: **30KT01**
 Complete Cylinder part number: **30CB13**

BUCKET CYLINDER, M30 LOADER, LEVEL INDICATOR SIDE

PRODUCT MODEL:

DRAWING ID#: 30CB13
 DRAWING REVISION: -
 DRAWING DATE: 11/3/2010

PARTS LISTING



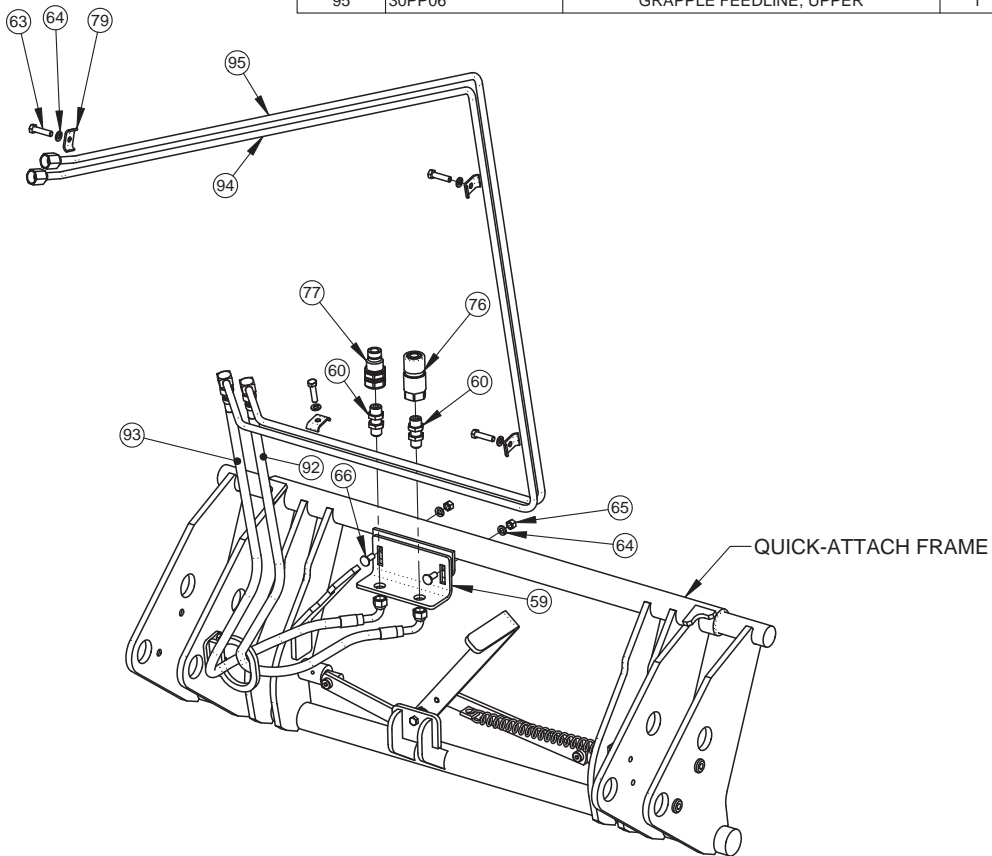
ITEM NO.	PART NUMBER	DESCRIPTION	FREE/QTY.
1	35AL03	LINKAGE, QT	1
2	98950	COMPOSITE BEARING, 1.75 BORE, 3.125 LONG	1
3	98920	COMPOSITE BEARING, 1.75 BORE, 1.25 LONG	2
4	94224	PIN SEAL, 1.75 ID x 2.25 OD x 5/16 Thick	2

QT LINKAGE

PRODUCT MODEL:	DRAWING ID#: 35AL04
	DRAWING REVISION: -
	DRAWING DATE: 9/16/2009

PARTS LISTING

ITEM NO.	PART NUMBER	DESCRIPTION	QTY
59	3574	BULKHEAD BRACKET	1
60	SF-2706-LN-08-08	BULKHEAD CONNECTOR, -08 JIC to 1/2 NPT	2
63	HW-BS-06-0150-A	BOLT, 3/8-16 UNC, GR5 ZN, 1-1/2" LONG	4
64	HW-LS-06-A	LOCKWASHER, 3/8, ZN	6
65	HW-NS-06-A	NUT, 3/8-16 UNC TL, ZN	2
66	HW-BSC-06-0100	BOLT, CARRIAGE 1/2 x 1-1/2, G5 ZN	2
76	90601F	COUPLER, FLAT FACE, 1/2 BODY, 1/2 NPT	1
77	90601M	NIPPLE, FLAT FACE, 1/2 BODY, 1/2 NPT	1
79	PC06X2	PIPE CLAMP	4
92	30AH01	AUXILIARY HOSE, RIGHT	1
93	30AH02	AUXILIARY HOSE, LEFT	1
94	30PP05	GRAPPLE FEEDLINE, LOWER	1
95	30PP06	GRAPPLE FEEDLINE, UPPER	1



AUXILIARY KIT, M30 LOADER

PRODUCT MODEL:

DRAWING ID#: m30 aux kit

DRAWING REVISION: -

DRAWING DATE: 11/4/2010

MAINTENANCE

NOTE

All loader pivot points are equipped with zero-maintenance bushings. There are no grease zerks on the main loader, but the pins on the quick-attach that engage the attachment are greaseable. The zero-maintenance pin system on the loader has proven to provide years and years of service in severe duty environments, provided the following precautions are met:

- ◇ **IF YOU REMOVE A PIVOT PIN, MAKE SURE IT IS CLEAN AND DRY BEFORE YOU REINSTALL IT.**

- ◇ **IF YOU REMOVE A PIVOT PIN, DO NOT PERFORM ANY GRINDING OR WELDING THAT WOULD ALLOW PARTICLES TO ENTER THE BEARING HOUSING.**

- ◇ **DO NOT ATTEMPT TO LUBRICATE THE PINS WITH ANYTHING.**

- ◇ **IF A DUST SEAL (WIPER SEAL) THAT PROTECTS THE BEARING HOUSING IS DAMAGED, REPLACE IT.**

- ◇ **DO NOT REPLACE A PIVOT PIN WITH ANYTHING OTHER THAN A MILLER PIVOT PIN MADE FOR YOUR LOADER. THE EXTREMELY DURABLE AND HARD CHROME FINISH OF THE PINS IS IMPORTANT FOR THE LIFE OF THE BUSHINGS AND FOR THE RESISTANCE TO CORROSION IN THE PIN HOUSING.**

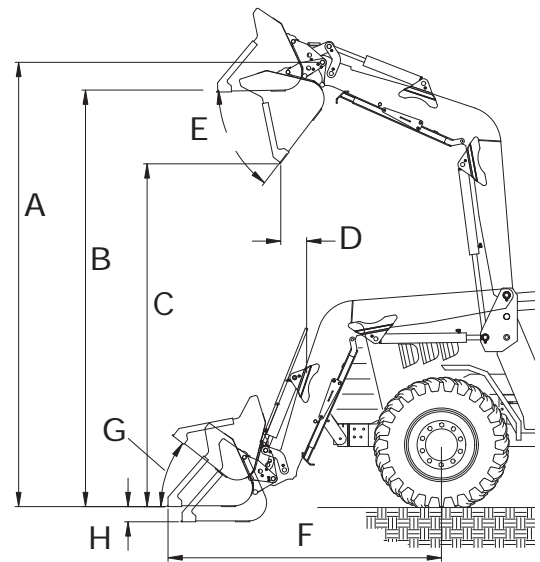
MAINTENANCE PROCEDURES

PROCEDURE	INTERVAL	NOTES
Check for hydraulic fluid leaks	Daily	Look at hose connections and hose fittings
Check bolt tightness	Daily	Torque mounting bolts to recommended torque (20mm bolts dry - 390 ft-lb)
Check for build-up around pivot areas	Daily	Remove ice, ground hay or any other debris from all pivot areas.

M30 loader SPECIFICATIONS

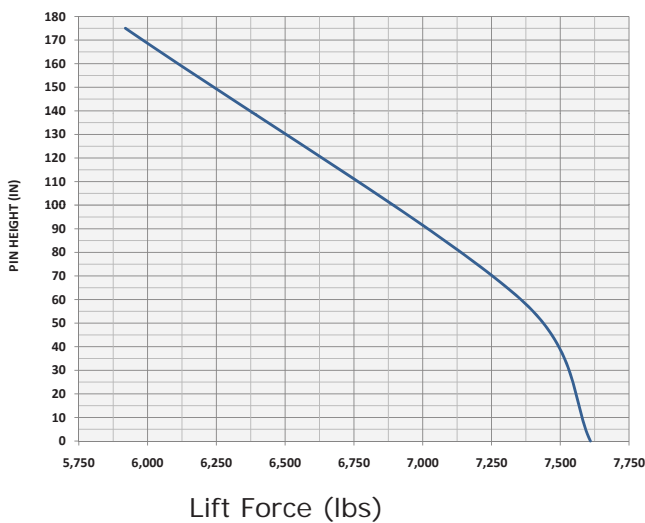
Specification	Miller M30
A -Max Lift height (in.)	175
B -Max height under level bucket (in)	163
C -Clearance with bucket dumped 45 deg (in)	135
D -Reach at Max Lift and 45 deg dump (in)	24
E -Max dump angle (deg)	54
F -Reach on Ground with 35" deep bucket (in)	100
G -Bucket Rollback angle (deg)	37
H -Dig Depth (in)	6
Max Breakaway Lift Force with load 31.5" (800mm) ahead of Bucket Pivot Pin	7,600
Max Bucket Rollback Force with load 31.5" (800mm) ahead of Bucket Pivot Pin	10,600
Cylinder Bore [all] (in)	3.75
Raise Time @ 30 GPM (sec)	5.4
Optional Self-Leveling	2-way Hyd
Pivot Pin Diameter (in)	1.75
Loader Weight without Bucket or Mounts (lb)	2,250

- Solid Plate Lift Arms
- Very rigid, durable construction
- Zero-Maintenance Pivot Pins
- 4-bar Link for consistent bucket power and high tip/dump angles
- ISO-Euro Quick-attach system
- Advanced Two-Way Hydraulic self-leveling is optional

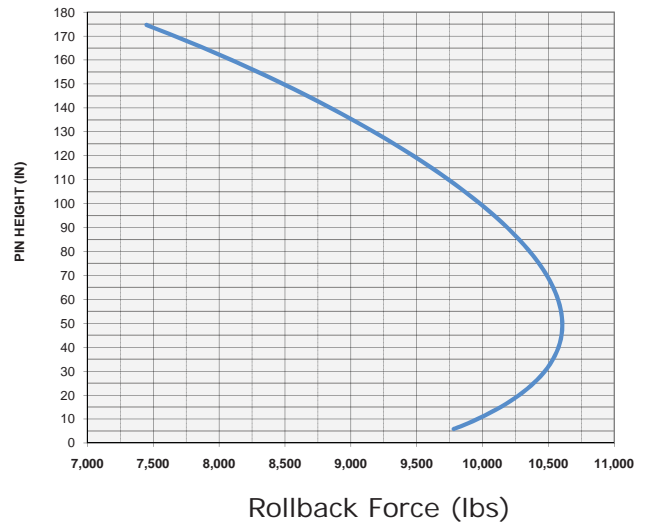


All Specifications and graphs based on ASAE S301.3 Standard using hydraulic pressure of 3000 psi and load 31.5" (800mm) ahead of bucket pivot pin with general purpose bucket in horizontal position.

Loader **LIFT** Performance



Bucket **TILT** Performance



WARRANTY



1242 Arizona Ave
Larchwood, IA 51241
712-477-2795
800-570-8205
712-477-2500 FAX

ALL PRODUCTS MANUFACTURED BY MILLER LOADERS ARE GUARENTEED TO THE ORIGINAL PURCHASER FOR A PERIOD OF ONE YEAR FROM THE DAY OF PURCHASE AGAINST ANY DEFECTS IN MATERIALS AND WORKMANSHIP OF FARM LOADERS AND ATTACHMENTS THAT ARE USED IN NORMAL FARM OPERATIONS.

ALL PARTS SOLD BUT NOT MANUFACTURED BY MILLER LOADERS THAT INCLUDE BUT ARE NOT LIMITED TO ZINC-PLATED PINS, HOSES, VALVES, QUICK COUPLERS, ETC. ARE COVERED ONLY TO THE EXTENT OF THE MANUFACTURE'S WARRANTY ON THESE ITEMS. MILLER LOADERS DOES NOT WARRANTY THESE ITEMS EXPRESSLY OR IMPLIEDLY.

DEFACEMENT OF ANY PART BY WELDING OR OTHERWISE ALTERING, OR EXCESSIVE WEAR ON GREASE-ABLE PINS CAUSED BY LACK OF LUBRICATION, NULLIFIES THE WARRANTY ON THE MILLER LOADERS PRODUCT.

MILLER LOADERS ASSUMES NO RESPONSIBILITY AS TO THE PERFORMANCE OR FAILURE OF A TRACTOR'S HYDRAULIC SYSTEM.

THE HYDRAULIC COMPONENTS OF THE MILLER LOADERS PRODUCTS ARE GUARENTEED UP TO A PRESSURE OF 3000 POUNDS PER SQUARE INCH AT A MAXIMUM FLOW RATE OF 30 GALLONS PER MINUTE.

MILLER LOADERS ASSUMES NO RESPONSIBILITY FOR THE FAILURE OF THE PURCHASER TO SECURE THE LOADER TO THE TRACTOR PROPER, WHICH INCLUDES PROPER BOLT TIGHTENING AND SECURING OF ALL CONNECTION POINTS.

ALL ITEMS MANUFACTURED BY MILLER LOADERS REQUIRING WARRANTY CONSIDERATION MUST BE RETURNED TO MILLER LOADERS OR A DESIGNATED REPRESENTATIVE BY THE ORIGINAL PURCHASER. ANY ITEM SO RETURNED BY COMMON CARRIER MUST BE PREPAID FREIGHT.

THE WARRANTIES PROVIDED BY MILLER LOADERS AS REFERRED TO ABOVE SHALL BE THE SOLE AND EXCLUSIVE WARRANTIES. THERE SHALL BE NO OTHER WARRANTIES EXPRESS OR IMPLIED INCLUDING ANY IMPLIED WARRANTY OF MERCHANTABILITY OR FITNESS OR ANY OTHER OBLIGATION ON THE PART OF MILLER LOADERS WITH RESPECT TO PRODUCTS COVERED BY THIS WARRANTY.

IN NO EVENT SHALL THE WARRANTIES OF MILLER LOADERS REQUIRE MORE FROM MILLER LOADERS THAN THE REPAIR OR REPLACEMENT OF ANY PART OR PARTS WHICH ARE FOUND TO BE DEFECTIVE WITHIN THE EFFECTIVE PERIOD OF THE WARRANTY, MILLER LOADERS SHALL HAVE NO LIABILITY FOR ANY INCIDENTAL OR CONSEQUENTIAL DAMAGES.

RETURN POLICY



1242 Arizona Ave
Larchwood, IA 51241
712-477-2795
800-570-8205
712-477-2500 FAX

RETURNED GOODS POLICY – PARTS

Items **SHIPPED** in error

Miller Loaders will accept returned items, with prior approval of Miller Loaders (see RGA paragraph below), within 30 days after shipment without a restocking charge, freight collect.

Items **ORDERED** in error

When parts are incorrectly ordered and returned to Miller Loaders, the customer is responsible for freight costs and a 15% restocking fee.

When parts are purchased without reference to a model or serial number and returned to Miller Loaders, the customer is responsible for freight costs and a 15% restocking fee.

RGA- Returned Goods Authorization

All return items must have prior approval of Miller Loaders and be assigned an RGA (Returned Goods Authorization) number by either the Miller Loaders sales or parts department and must be returned within 30 days of request.